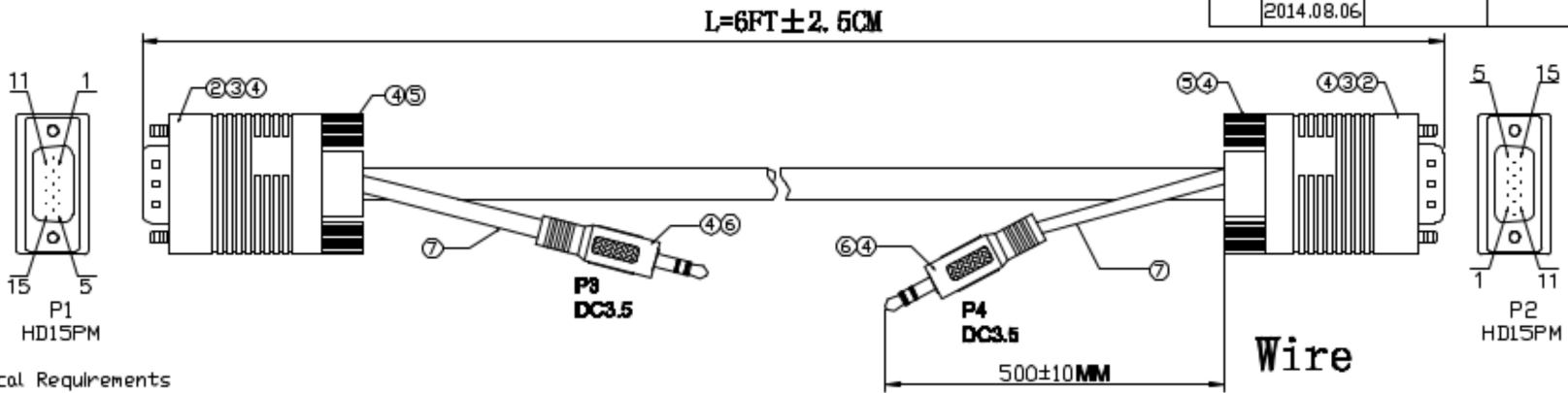


NOTE: ALL MATERIAL COMPLIANT ROHS STANDARD

REVISION INFORMATION			
Rev.	Rev. Date	Modified By	Brief Description
	2014.08.06		



Technical Requirements

1. Electrical Characteristics.

1.1. cable must pass electrical testing, no short circuit, open circuit, indirect sexual contact, insufficient insulation, dislocation, and other electrical contact resistance of adverse circumstances

1.2 Electrical Test Conditions

Conductor Resistance: <math>\le 40\Omega</math>  
 Insulation resistance: >math>10M\Omega/300V</math>

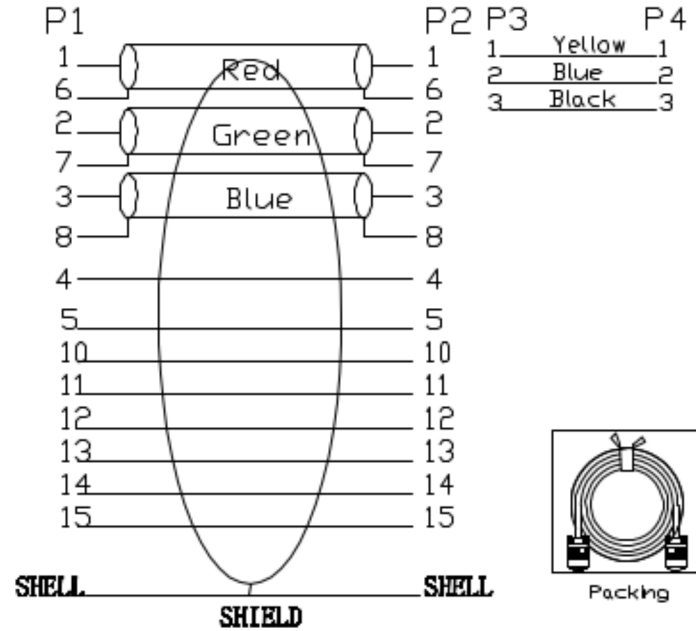
2. Appearance requirements:

- 2.1 No shot short, shrink, flow liner
- 2.2 Wire surface printing clear, smooth appearance, can not have scratches and obvious color
- 2.3 15PIN connector no empty pin and blunt glue
- 2.4 Terminals can not have oxidation or electrodeposited coating fall off

3. Size request

- 3.1 cable length match the drawing
- 3.2 \*qc test according to this size
- 4. cable wire connect point view the point

5. Packing:  
 Circle around a single package.



1). Material List :

NO.	PART NAME	SPECIFICATION DESCRIPTION	QTY	UNIT
⑦	Wire	Black 0.3.5mm L=600mm	2	PCS
⑥	DC	DC3.5MM	2	PCS
⑤	SCREW	Screw2.5*4MM	4	PCS
④	Outer Moulding	48P Black PVC(RHS)	NA	EG
③	PE	PE Internal Mold Material	NA	EG
②	Connector	HD15PM Blue Bubble Nickel-Plated	2	PCS
①	Wire	⑦/⑧. 1.2TC+⑨⑩⑪⑫⑬⑭⑮⑯. 1.2CC①②. ③④⑤⑥⑦⑧⑨⑩⑪⑫⑬⑭⑮⑯ ①/②. 1.2TC+1.28③④⑤⑥⑦⑧⑨⑩⑪⑫⑬⑭⑮⑯ ①/②. 1.28③④⑤⑥⑦⑧⑨⑩⑪⑫⑬⑭⑮⑯ ①/②	6	FT

**Show Me**  
 CABLES

cables & connectors since 1995

DRAWN BY	DATE: 2014/08/06	DESCRIPTION: ⑦⑧⑨⑩⑪⑫⑬⑭⑮⑯ ①/②. 1.2TC+1.28③④⑤⑥⑦⑧⑨⑩⑪⑫⑬⑭⑮⑯ ①/②. 1.28③④⑤⑥⑦⑧⑨⑩⑪⑫⑬⑭⑮⑯ ①/②
CHECKED BY	SHEET 1 of 1	ITEM NO.
APPROVED BY	SCALE 1:1	REV. 00 UNIT: mm